

OLYMPUS LED DRIVING LIGHT

Before Installation

1. Verify compliance with local laws and regulations. And any regions your vehicle may travel regarding auxiliary lights.
2. Carefully read all provided installation instructions.
3. Confirm that the dimensions and weight of the lamps and devices are suitable for your vehicle.
4. Note that slight moisture inside the lamp is normal; it typically dissipates after 2-4 usage sessions through the vent.
5. Working Voltage: 12-30V DC.

Mounting

Select the mounting location and use an 11 mm drill to create one to three holes, secure with a lock nut.

IMPORTANT

Remember to reduce the cable length as much as possible to avoid unnecessarily high power consumption.

The minimum cable length allowed is 30cm. If it returns with a shorter cable the warranty is not valid.

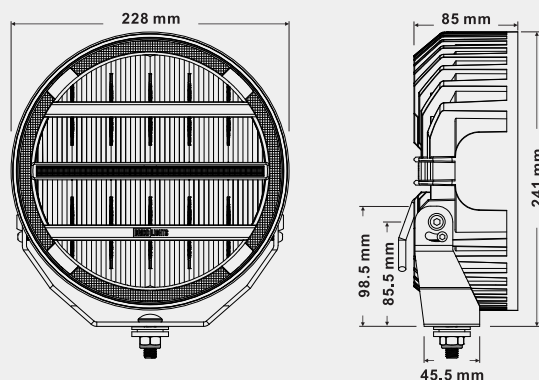
Do not install the cable so that it is angled sharply and tension at its gland. The cable should be loosely.

Use silicone to seal cable ends and holes for top brackets.

Mounting on roof or near radio antenna: Remember to run a separate (-) ground cable from the lamps directly to the battery to prevent possible interference with radio.

Avoid close proximity to antenna or other transmitting units.

Use anti-corrosion paste on connection points in the electrical circuit (31097944).



Bottom bolt size: M10 * 30mm Bracket mount
screw size: M8 * 12mm / M5 * 12mm
Top stabilization thread: Diameter 3.5mm for
M4 screw, depth 5mm

CABLE FUNCTIONS

Blue & Red + black: R112 power

Yellow + black: Warning light

Brown + black: Amber position light

White + black: White position light

Red + black: Boost power

Green: Synchronization cable

